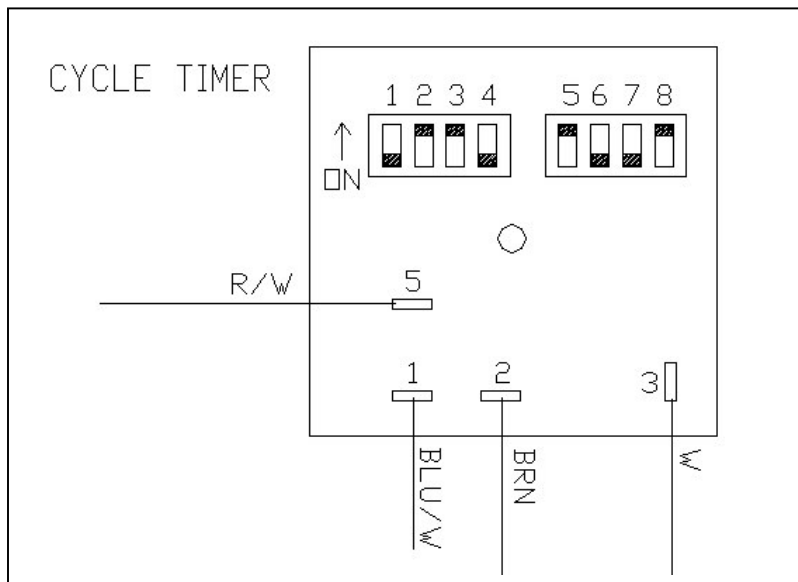




MEL-002 - Switch, OEM, Valves, Lucks 99 newer



FLUSH/FILL TIMER

		DIP SWITCH SETTINGS			
FLUSH INTERVAL	SW1	OFF	ON	OFF	ON
	SW2	ON	OFF	ON	ON
TIME		15 MIN	30 MIN	60 MIN	120 MIN
FILL INTERVAL	SW3	OFF	ON	OFF	ON
	SW4	ON	OFF	ON	ON
TIME		1 MIN	1.5 MIN	2.5 MIN	4 MIN
FIRST FILL TIME	SW5	OFF	ON	OFF	ON
	SW6	ON	OFF	ON	ON
TIME		20 SEC	40 SEC	60 SEC	20 SEC
FUNCTION	SW7	OFF			
	SW8	ON			
ACTION		NORMAL OPERATION			

FLUSH TIME IS 30 SEC
FILL TIME IS 13 SEC

DEFAULT SETTINGS ARE BOXED

= ON
DIP SWITCH

TO CHANGE A TIME SEQUENCE, POWER DOWN, CHANGE SWITCHES, THEN POWER UP.